

F-100

Fixed Position CCD Scanner



Highlights

- Fixed mount CCD barcode scanner that's reliable, durable and affordable
- Extremely fast 700 scans per seconds
- Exceptional motion tolerance for moving applications
- Improved scanning of wide and poorly printed barcodes
- Short reading range minimizes installation space
- Complete unit with integrated decoder
- IP 42 rating against dust and moisture
- Two models available: Standard Range (SR) and Wide Angle (WA)
- Communication interface: RS232 or USB
- Two year warranty

F-100

Product Specifications

OPERATING INDICATORS

VISUAL: 3 LED (red/green/orange)

AUDIBLE: Buzzer

OPERATING KEYS

ENTRY OPTIONS: 1 button, trigger

COMMUNICATION

I/O, Power, USB and RS232

POWER

VOLTAGE REQUIREMENT: 5Vdc

CURRENT CONSUMPTION (MAX):

SR: 300mA

WA: 350mA

OPTICS

LIGHT SOURCE: Illumination RED LEDs

SCAN METHOD: CCD array, gray scale

SCAN RATE: 700 scan/sec.

FOCUS (FIXED):

SR: 35 mm

WA: 54 mm

READING PITCH ANGLE: $\pm(10^\circ \text{ to } 30^\circ)$

READING SKEW ANGLE: $\pm(0^\circ \text{ to } 6^\circ)$

READING TILT ANGLE: $\pm 10^\circ$

CURVATURE:

0.26 mm 13-digit EAN/JAN. $R \geq 30$ mm

0.26 mm 8-digit EAN/JAN. $R \geq 20$ mm

MINIMUM RESOLUTION AT PCS 0.9:

SR: 5 mil (0.127 mm)

WA: 6 mil (0.15 mm)

MINIMUM PCS VALUE: 0.45

READING WIDTH (FOCUS POSITION AT 35 MM)

SR: 80 mm

WA: 120 mm

DEPTH OF FIELD AT CODE 39: 7.5 mil (0.19 mm)

SR: 25 - 45 mm

WA: 54 - 74 mm

SUPPORTED SYMBOLOGIES

BARCODE (1D): UPC-A, UPC-AAdd-on, UPC-E, UPC-E Add-on, EAN-13, EAN-13 Addon, EAN-8, EAN-8 Add-on, JAN-8, JAN-13, Code 39, Tri-Optic, Codabar (NW-7), Industrial 2of5, Interleaved 2of5, S-Code, IATA, Code 93, Code 128, MSI/Plessey, UK/Plessey, TELEPEN, Matrix 2of5, Code11, GS1 DataBar, GS1 DataBar Limited, GS1 DataBar Expanded

DURABILITY

TEMPERATURE:

Operation: 32 to 122 °F (0 to 50 °C)

Storage: 14 to 140 °F (-10 to 60 °C)

HUMIDITY:

Operation: 20 - 85% (noncondensing)

Storage: 20 - 90% (non-condensing)

AMBIENT LIGHT IMMUNITY:

Fluorescent: 5,000 lx max

Direct sun: 5,000 lx max

Incandescent: 5,000 lx max

ANTISTATIC ELECTRICITY: 15kV (non-destructive)

DROP TEST: 2 ft. (0.6 m) drop onto concrete surface

VIBRATION TEST: 10-100Hz with 2G for 1 hour

PROTECTION RATING: IP 42 compliant

PHYSICAL

DIMENSIONS (WXHXD): 1.77 x 0.79 x 0.75 in
(45.0 x 20.0 x 19.0 mm)

WEIGHT BODY: 15g

CASE: ABS

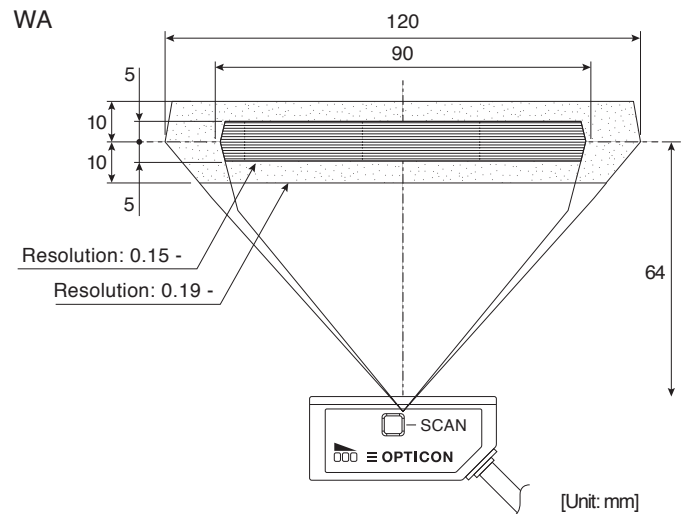
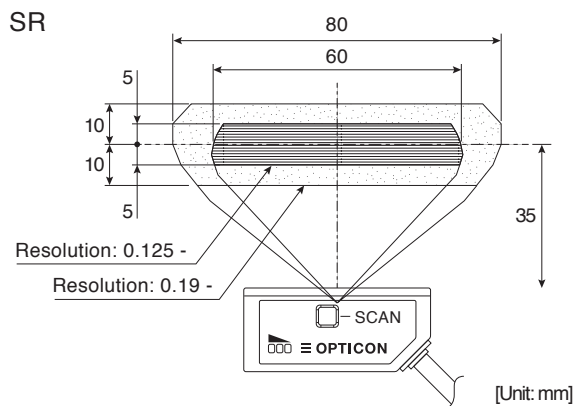
REGULATORY AND SAFETY

PRODUCT COMPLIANCE: RoHS, IEC 62471, UL60950-1, CSA C22.2 No.60950-1-07, IEC 60950-1, EN 60950-1, EN55032, EN55024, FCC Part 15 Subpart B Class B, VCCI Class B

MODELS

SR: Standard Range

WA: Wide Angle



© Copyright Opticon. All rights reserved. This information is subject to change without prior notice. For availability, contact your local representative. F-100_051618

